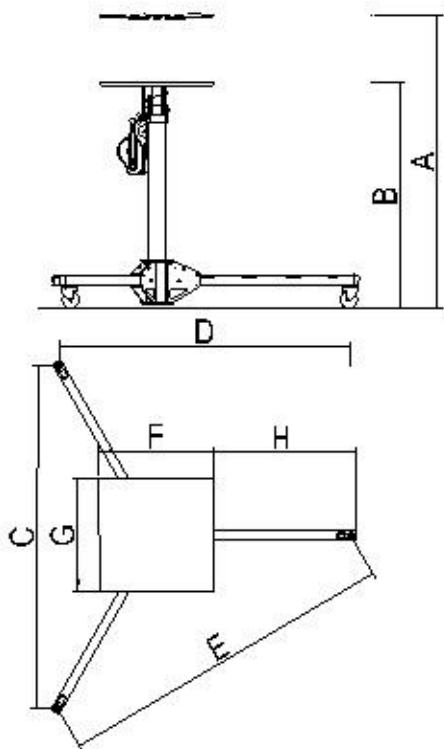


## ALP-Material-Lift ML

As at 1 November, 2018



Dim.	Feature	unit	350
	Capacity	kg	100
A	Max. lifting height with load fork in top position	mm	3370
D	Chassis width	mm	1500
E	Chassis length	mm	1680
B	Mast height	mm	1000
	Width in transport position	mm	360
	Length in transport position	mm	400
	Deadweight	kg	39

Dimensions and technical data subject to modifications and amendments!