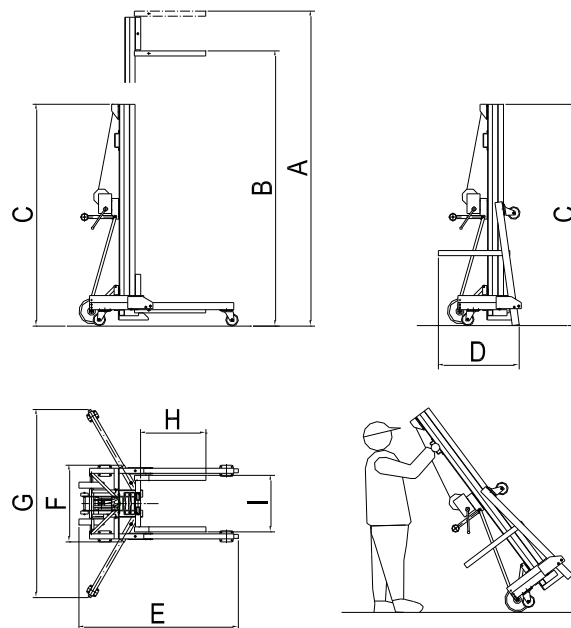


ALP-Material-Lifts LMJ

As at 1 November, 2018



	Features \ Type		390
	Capacity	kg	120
A	Max. lifting height with load fork in top position	mm	3890
B	Max. lifting height with load fork in bottom position	mm	3560
H	Length load fork	mm	500
I	Width load fork	mm	450
F	Chassis width	mm	688
E	Chassis length	mm	1185
C	Mast height	mm	1650
F	Width in transport position	mm	688
D	Length in transport position	mm	625
	Deadweight including standard accessories assembled to the lift, without lateral outriggers	kg	55
	Deadweight including standard accessories assembled to the lift and lateral outriggers	kg	57

Dimensions and technical data subject to modifications and amendments!