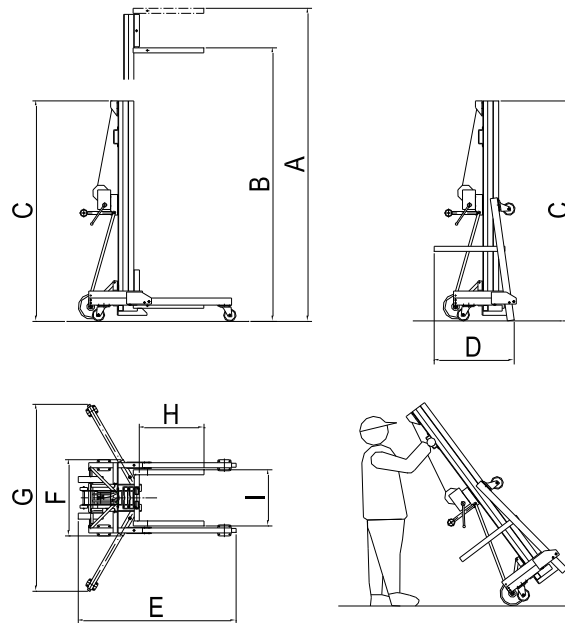


## ALP-Material-Lifts LH Series 4

As at 1 November, 2018



Features \ Type		330	400	475	575	620*	750*
Capacity	kg	300	300	300	300	300	300
A	Max. lifting height with load fork in top position	mm	3315	3975	4765	5735	7485
B	Max. lifting height with load fork in bottom position	mm	2945	3585	4385	5345	7105
	Min. lifting height with load fork in top position	mm	620	620	620	620	620
	Min. lifting height with load fork in bottom position	mm	245	245	245	245	245
	Height front parts	mm	212	212	212	212	212
H	Length load fork	mm	650	650	650	650	650
I	Width load fork	mm	560	560	560	560	560
	Distance of load fork to the wall	mm	280	280	430	430	495
F	Chassis width	mm	760	760	760	760	760
E	Chassis length	mm	1550	1550	1755	1755	1870
G	Width with lateral outriggers	mm	1875	1875	1875	1875	1875
C	Mast height	mm	1875	2195	1875	2195	2195
D	Width in transport position	mm	760	760	760	760	760
F	Length in transport position	mm	925	925	905	905	825
	Deadweight including standard accessories assembled to the lift, without lateral outriggers	kg	200	205	224	240	250
	Deadweight including standard accessories assembled to the lift and lateral outriggers	kg	212	217	236	252	274

**Dimensions and technical data subject to modifications and amendments!**

\* Lateral outriggers with outrigger bracket assembled to the lift as standard accessories