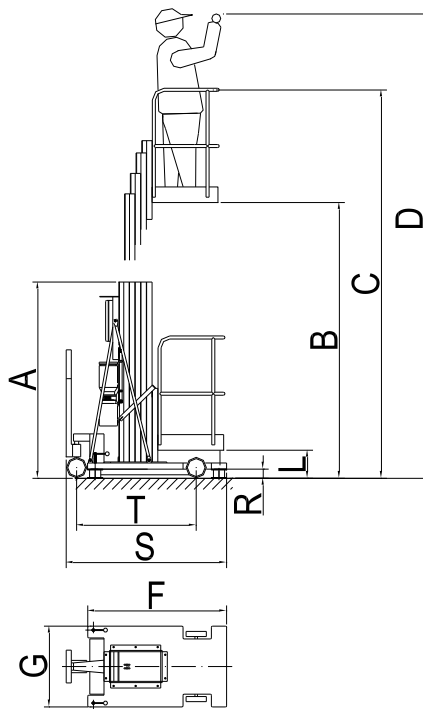


ALP-Personnel-Lifts PHC-HI

As at 1 November, 2018



	Features \ Type		800	940	1100
D	Working height	m	8,00	9,40	10,80
B	Platform height	m	6,00	7,40	8,80
	Capacity	kg	140	140	140
A	Overall height	m	1,98	1,98	1,98
G	Width	m	0,79	0,79	0,89
F / S	Length	m	1,61	1,61	1,67
G x F	Footprint indoor use	m x m	0,79 x 1,61	0,79 x 1,61	0,89 x 1,67
	Distance to the wall	cm	0	0	0
	Deadweight	kg	672	699	814
	Mast extension height approx.	sec	26	21	26

Dimensions and technical data subject to modifications and amendments!