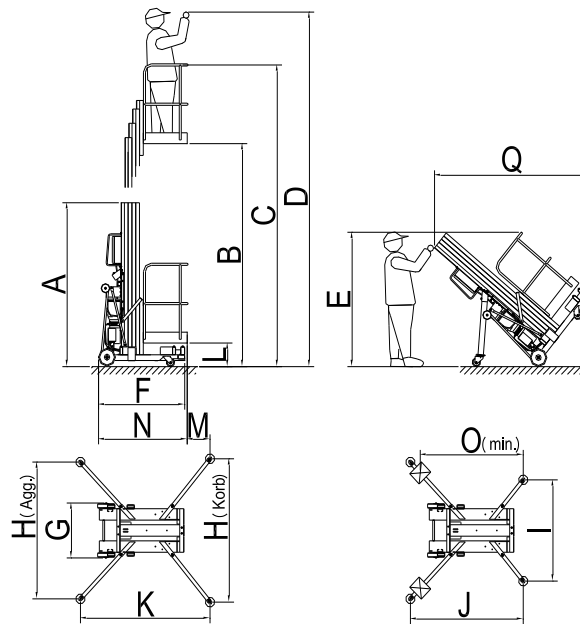


## ALP-Personnel-Lifts PH

As at 1 November, 2018



	Features \ Type		1300	1400
D	Working height	m	12,75	14,00
B	Platform height	m	10,75	12,00
	Capacity	kg	135	115
A	Overall height	m	2,30	2,77
G	Width	m	0,77	0,77
N	Length	m	1,44	1,44
Q	Length when tilted	m	2,40	2,85
E	Height when tilted	m	1,98	1,95
H x K	Footprint indoor use	m x m	2,18 x 2,17	2,29 x 2,25
H x K	Footprint indoor use with ballast weights	m x m	1,81 x 1,85	2,04 x 2,05
H x K	Footprint outdoor use	m x m	3,67 x 3,47	3,90 x 3,67
I x J	Footprint outdoor use in front of facade	m x m	2,18 x 2,85	2,29 x 3,00
M	Distance to the wall	mm	400	450
	Deadweight without standard accessories assembled to the lift	kg	385	433
	Deadweight with standard accessories assembled to the lift	kg	390	437
	Weight ballast weights	kg	160	160
	Maxt extension speed approx.	sec	35	40

Dimensions and technical data subject to modifications and amendments!